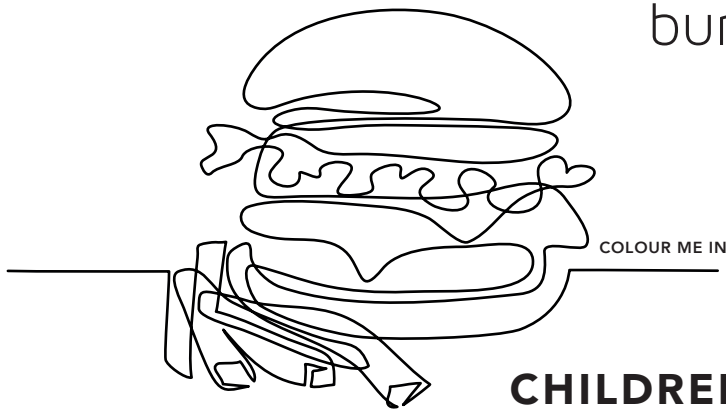


GORDON RAMSAY

burger



CHILDREN'S MENU

£9.50 each

All served with chips

Hell's Kitchen Junior Burger

Beef patty, fresh mozzarella, avocado, roasted tomatoes, jalapeño aioli

American Junior Burger

Beef patty, American cheese, tomato, lettuce

Mini Hot Dawg

Heritage beef hot dog, yellow mustard, ketchup

Falafel Junior Burger (V)

Falafel patty, cucumber yogurt, fattoush salad, lettuce, hummus

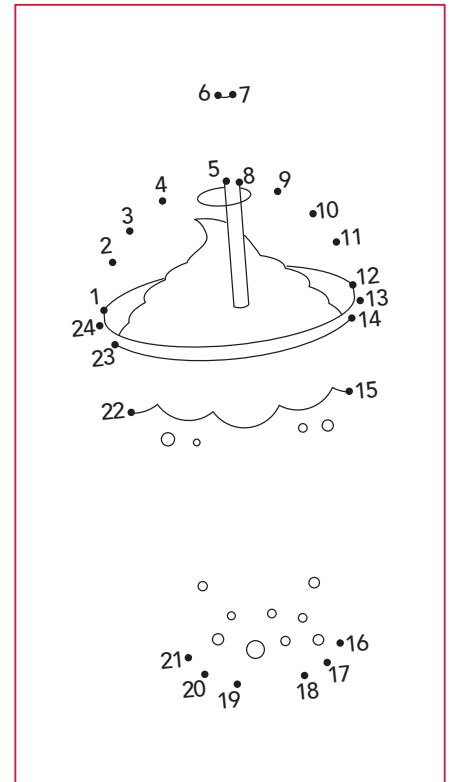
Ice Cream Sundae £6

Soft-serve ice cream, whipped cream, strawberries

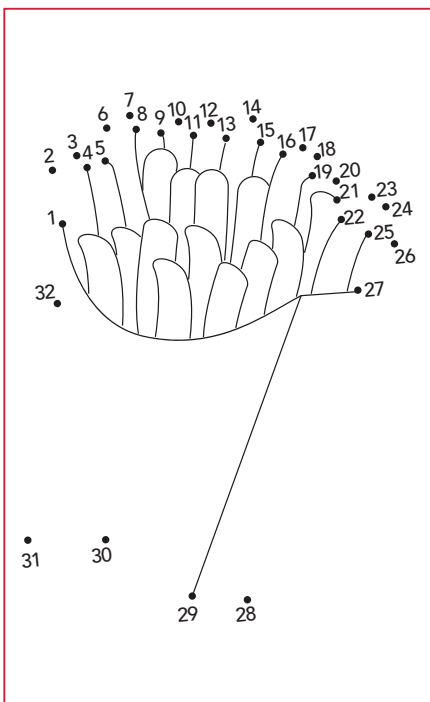
Shakes £4 each

Strawberry/vanilla/
banana/chocolate/
mango & coconut with
chia seeds (DF)

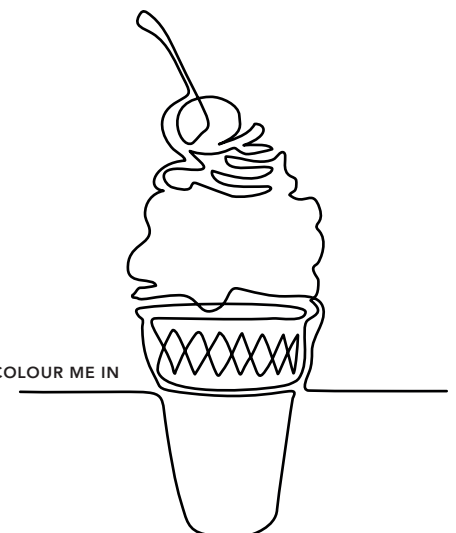
JOIN THE DOTS



JOIN THE DOTS



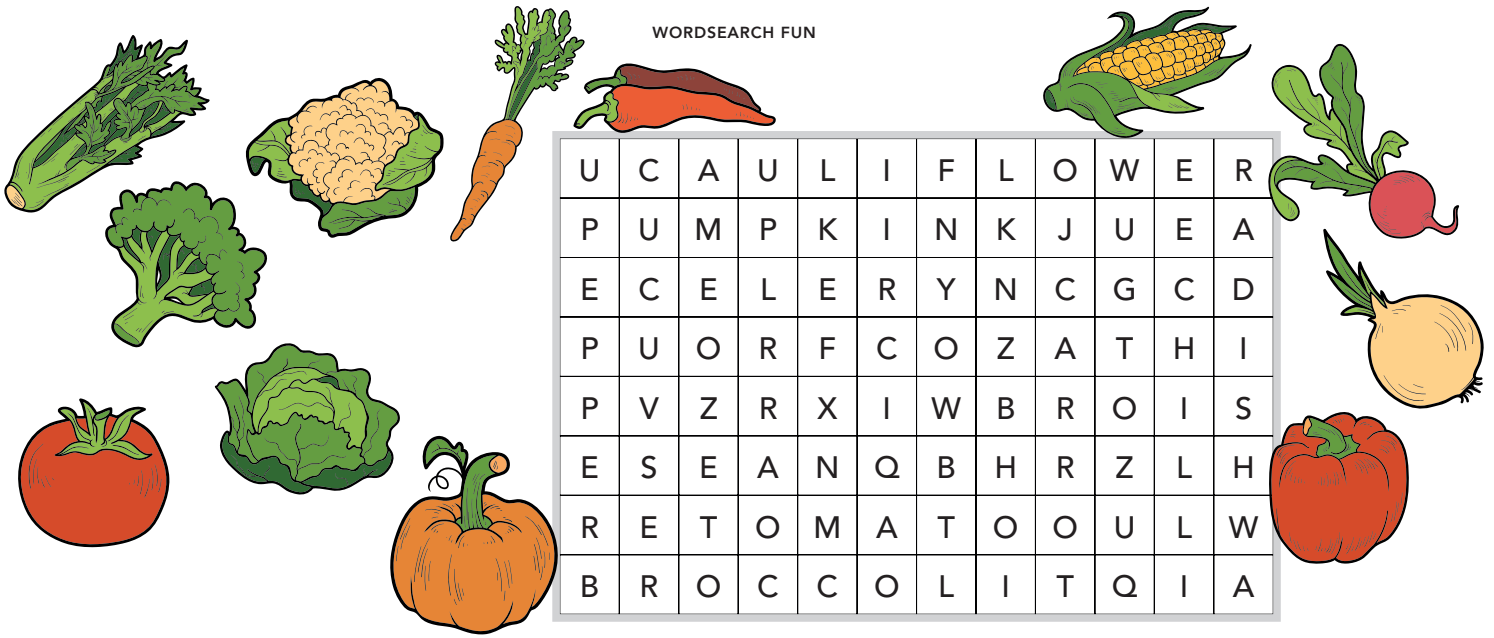
COLOUR ME IN



(V) VEGETARIAN (DF) DAIRY-FREE

These products may contain nuts – please inform your waiter if you have a food allergy. A discretionary service charge of 10% will be added to your bill. Of this, 97% is paid to our restaurant and kitchen staff with the remainder used to cover card fees, bank charges and other direct costs; Harrods will make no profit from this charge. VAT is charged at the applicable rate. Harrods monitors suppliers and does not knowingly serve dishes containing genetically modified ingredients.

WORDSEARCH FUN



U	C	A	U	L	I	F	L	O	W	E	R
P	U	M	P	K	I	N	K	J	U	E	A
E	C	E	L	E	R	Y	N	C	G	C	D
P	U	O	R	F	C	O	Z	A	T	H	I
P	V	Z	R	X	I	W	B	R	O	I	S
E	S	E	A	N	Q	B	H	R	Z	L	H
R	E	T	O	M	A	T	O	O	U	L	W
B	R	O	C	C	O	L	I	T	Q	I	A

CROSSWORD CORNER

ANSWERS: 1. Barbecue; 2. Saucepan; 3. Chef; 4. Mixer; 5. Whisk; 6. Board; 7. Towel; 8. Colander; 9. Scales; 10. Spatula; 11. Toaster; 12. Salt; 13. Ladle; 14. Pot; 15. Pepper; 16. Grater; 17. Pan; 18. Kettle; 19. Chicken; 20. Stove; 21. Knife; 22. Oven glove.